

Manual

*Sustainability, responsibility,
and values created in harmony
with people and nature are
fundamental to our thinking
processes and activities.*

Content

1. Product information
2. Security information
3. Maintenance

Product information

Our furniture is crafted with great care using high-quality solid wood, such as walnut and oak. These materials are known for their strength, durability, and exceptional value, making them ideal for long-lasting furniture that can be used every day.

Our oak and walnut furniture is designed to provide complete confidence in our products, ensuring that they can withstand everyday wear and tear while still looking great.

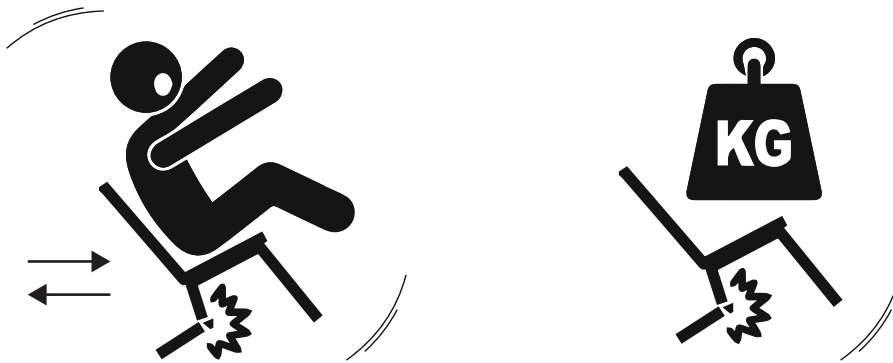
In addition to their functionality, these woods also offer a natural and warm aesthetic that can enhance any home. Oak is known for its texture and shine, while walnut has a rich color and an authentic appearance that is sure to impress.

Each piece of furniture from our Mobello brand is unique due to the natural color and variation of wood texture. This means that when you buy from us, you'll own a one-of-a-kind piece that adds to the originality of your space.

Security information

For safety and stability, rocking on the chair is prohibited. This can cause serious risks such as falling off the chair or damaging the chair.

The force generated when rocking can threaten the stability of the chair and may lead to damage its parts. Please strictly observe this prohibition to ensure your safety and protect the original condition of the chair.



We kindly request that you refrain from sitting or standing on the tables, as doing so may result in tipping over or damaging the structure of the table. In addition, we kindly ask that you be mindful of the weight of any objects placed on the tables, as exceeding the maximum allowed weight limit can impact the stability and durability of the tables.



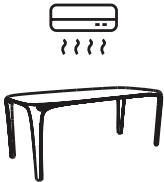
Please be aware that Mobello furniture is constructed using solid wood and, as such, is flammable. To avoid any potential hazards, it's imperative that you don't expose the furniture to heat or extremely high temperatures.

We kindly request that you keep the furniture away from fire and any areas that are exposed to extremely high temperatures. Safety should always be your top priority.

Wood is a natural material that reacts to external influences such as moisture, temperature, UV radiation, and potential impacts from sharp objects. In order to maintain the longevity and flawless appearance of your oak and walnut furniture, please adhere to the following instructions:



Avoid excessive exposure of the furniture to sunlight to prevent discoloration. Use protective covers or curtains to reduce the impact of direct sunlight.



Keep furniture away from direct heat or cold air sources, such as air conditioners, convectors, radiators, and heaters. Sudden changes in temperature can lead to cracks in the wood.



Avoid exposing the furniture to large amounts of liquids. Liquids can cause stains and increase the humidity of the wood, causing deformations.



Do not place hot objects, such as hot pans or pots, directly on the furniture to avoid sudden and rapid changes in temperature, which can lead to cracks in the wood, as well as color changes.



Avoid using sharp objects on the surface of the furniture to prevent physical damage, such as scratches.



When it comes to cleaning wooden furniture, it is recommended to opt for mild and non-aggressive chemical products that are specifically suitable for wooden surfaces. It is advisable to steer clear of strong chemicals that may cause damage to the surface.



When relocating furniture, it's always advisable to exercise caution and take measures to prevent any accidental impacts or collisions that may result in damage.

Remember to always prioritize safety when it comes to tall chests of drawers. As a precaution, make sure to place the dresser on a flat and sturdy surface to prevent it from tipping over. If you feel it's necessary, use the supplied mounting material to fasten the dresser to the wall for added stability.

It's important to keep in mind that there are situations where drawers can cause a dresser to tip over. For instance, children climbing on the drawers or placing excessive weight on high drawers can be dangerous. To prevent accidents, it's best to follow the instructions for assembly and safely place the dresser in a stable location. It's also important to avoid situations that could endanger the stability of the dresser.

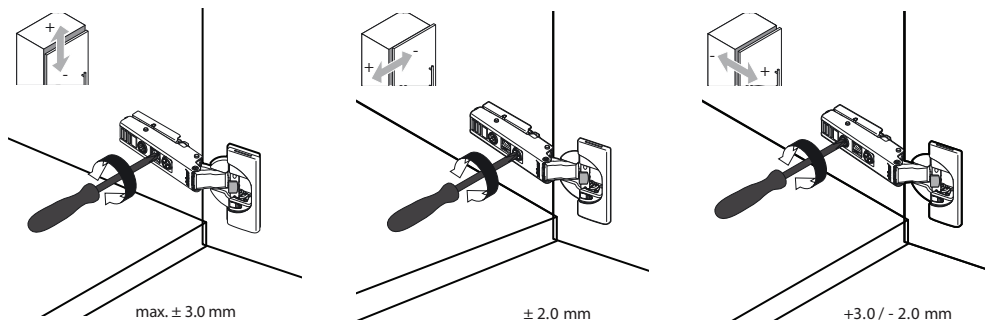


Due to the natural material, wood, which "breathes" over time, the doors on your furniture may move a little over time. To ensure that your furniture retains its functionality and aesthetics, it is essential to adjust the door periodically.

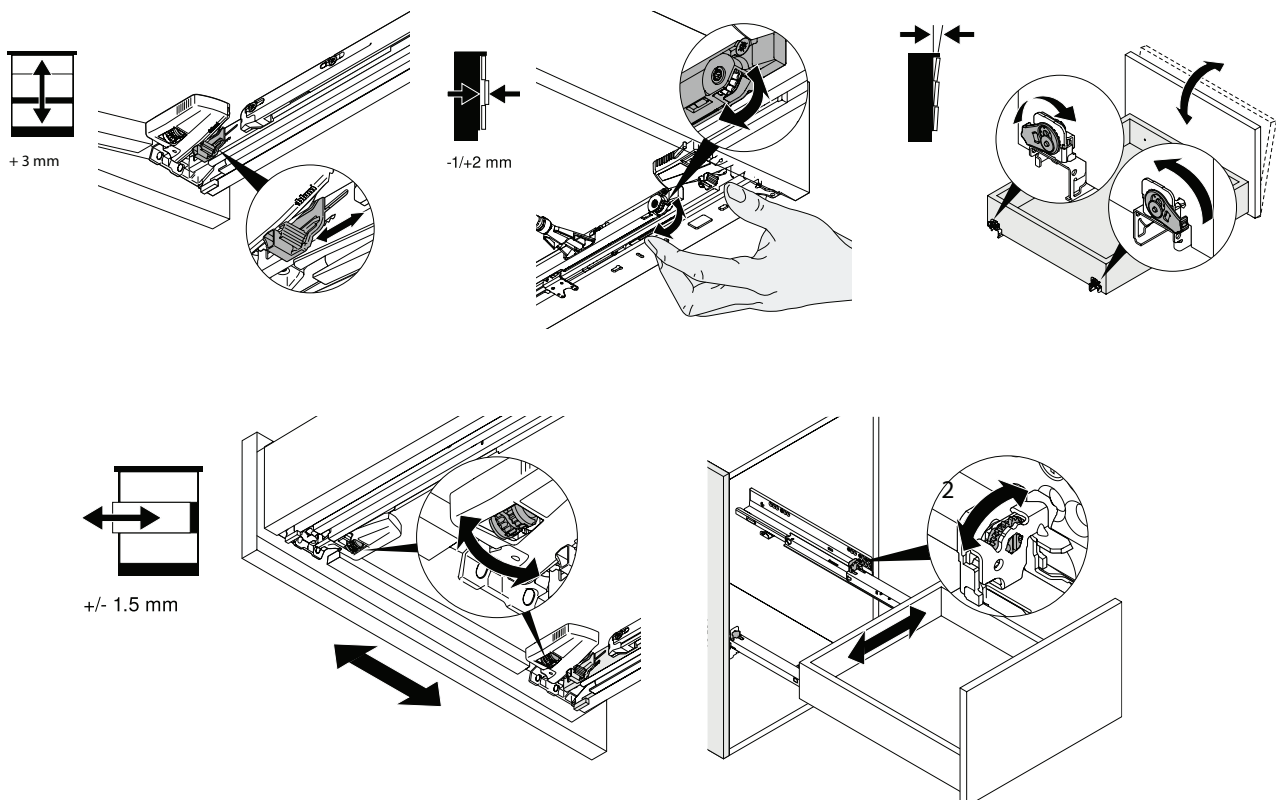


To keep your furniture looking clean and beautiful, it's important to regularly remove dust and light dirt from the surface using a soft, dry cotton cloth. You can also use a slightly damp cloth with natural cleaning agents that are specially designed for wooden surfaces. This will not only leave your furniture clean and shiny, but also protect its natural beauty.

To ensure the proper alignment of your furniture's doors, we have provided detailed steps and procedures in the illustrations below. Please follow these instructions carefully to adjust the doors correctly. This will help maintain the aesthetics, appearance, and functionality of your furniture. Ensuring that the door remains straight and in line with the rest of the furniture structure is crucial.



Over time and with regular use, the drawers on your furniture may move or become out of alignment with the rest of the structure. To adjust drawers and drawers, follow the instructions shown in the illustrations below.



It is of utmost importance to handle your solid wood furniture with care in order to ensure its longevity and preserve its value.

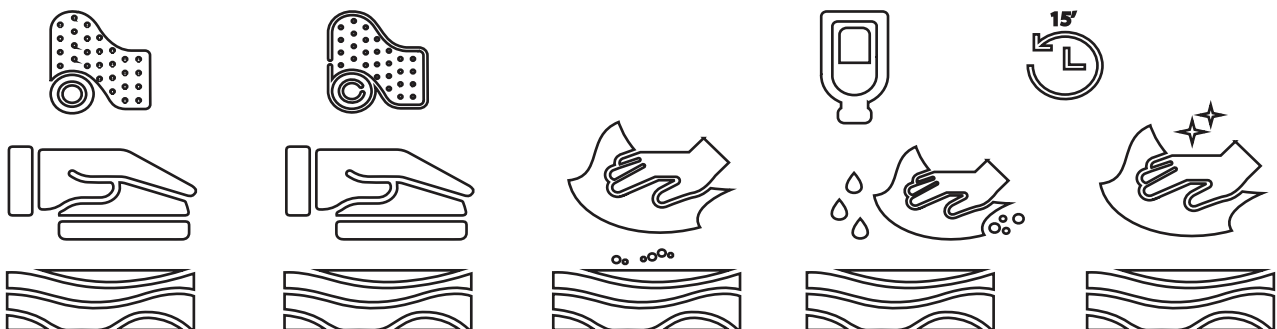
Maintenance - Scratches

The scratch repair process involves sanding the scratches until they are no longer visible. It's essential to sand in the direction of the wood grain to maintain a natural look.

To properly fix scratches, start with a coarse-grained sponge to treat the visible scratches. After sanding, remove any remaining traces and residues to prepare the surface for further processing. Use the specially prepared oil from your care set, applying it liberally using the provided cloth or a soft cloth. Allow the furniture to sit for around 15 minutes, giving the oil time to soak into the wood and restore its natural shade.

After 15 minutes, carefully remove the excess oil with a clean, dry cotton cloth. This step will make the surface shine and prevent oily residue. Once done, your furniture is ready for finishing. Use another clean cotton cloth to carefully polish the surface, completing the scratch repair process.

This careful approach will ensure that your furniture retains its aesthetics and quality after repairing the scratches.



Maintenance - Stains

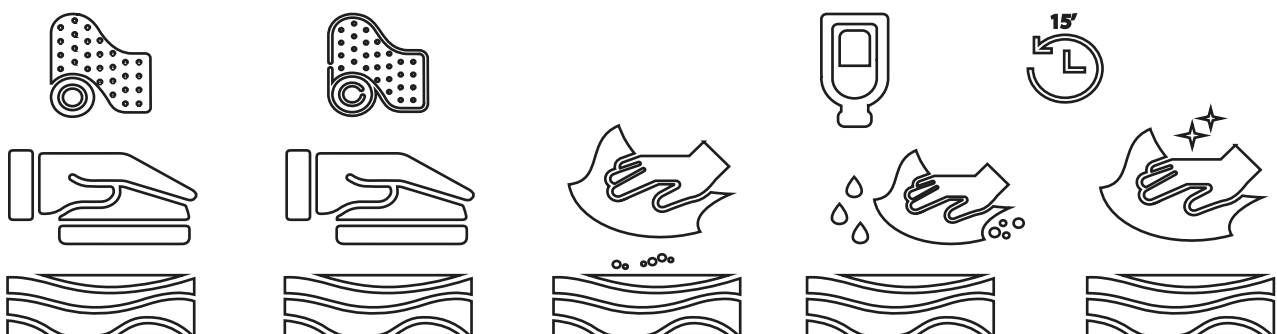
Furniture stains can be removed effectively by following some careful and appropriate methods. The stain removal process involves sanding the surface with coarse sandpaper or using a sponge. However, it is crucial to proceed with care and caution during this step to avoid any further damage to the furniture surface.

Once the sanding process is completed, it is important to prepare the furniture's surface thoroughly for further processing. This can be done by applying oil to the entire treated surface and allowing it to dry completely before moving on to the next step.

To achieve a final shine and complete stain removal, use a soft cotton cloth to wipe and polish the surface with gentle movements. This will help restore the natural beauty of the furniture surface.

If the stain is due to moisture, it is vital to note that such stains can only be treated when they are scorched. Moisture can have a damaging effect on wood, so it is vital to repair stains only after the furniture is completely dry.

By following this procedure carefully and using the right tools and furniture care products, you can effectively remove stains and restore the original appearance of your furniture.

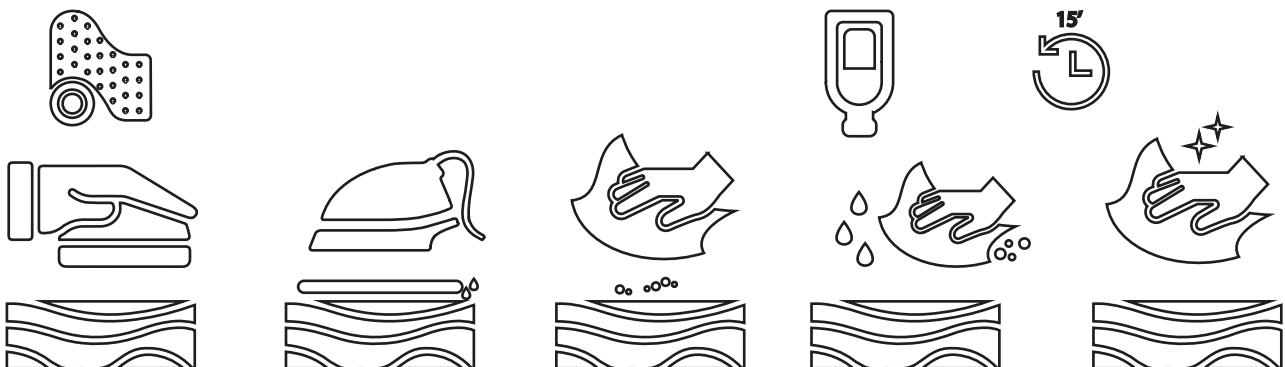


Maintenance - Dents

In some cases, you can fix dents on your furniture. To do this, gently sand the dented area using coarse sandpaper or a sponge. Once you have sanded the area, cover the indentation with a damp cloth. Then, carefully go over it with an iron heated at a low temperature. Repeat this process until the indentation becomes faintly visible.

If you are using this method on furniture with a glossy finish, be sure to use a damp cloth to avoid any heat marks. Make sure that the iron does not come into direct contact with the surface to ensure a perfect result.

Finally, apply oil to the treated area as described above. By following this thorough approach, your piece of furniture will retain its aesthetic characteristics and original beauty even after the dent has been repaired.



Caution

Be careful when disposing of the cotton cloth you used with the oil. Note that an oil-soaked cloth can catch fire on its own. After use, rinse the cloth thoroughly with water and allow it to dry outdoors, or place it in a bag of water before disposing of it. These measures will ensure safe handling and proper disposal of rags that have come into contact with oil, thus avoiding the risk of fire.



Let Mobello be the catalyst that
elevates your life - an elegant, modern,
and sustainable choice that brings
harmony and comfort into your world.

contact:

